

LOC Scientific, Inc.

ADAPTABLE TABLE SYSTEM

ATS

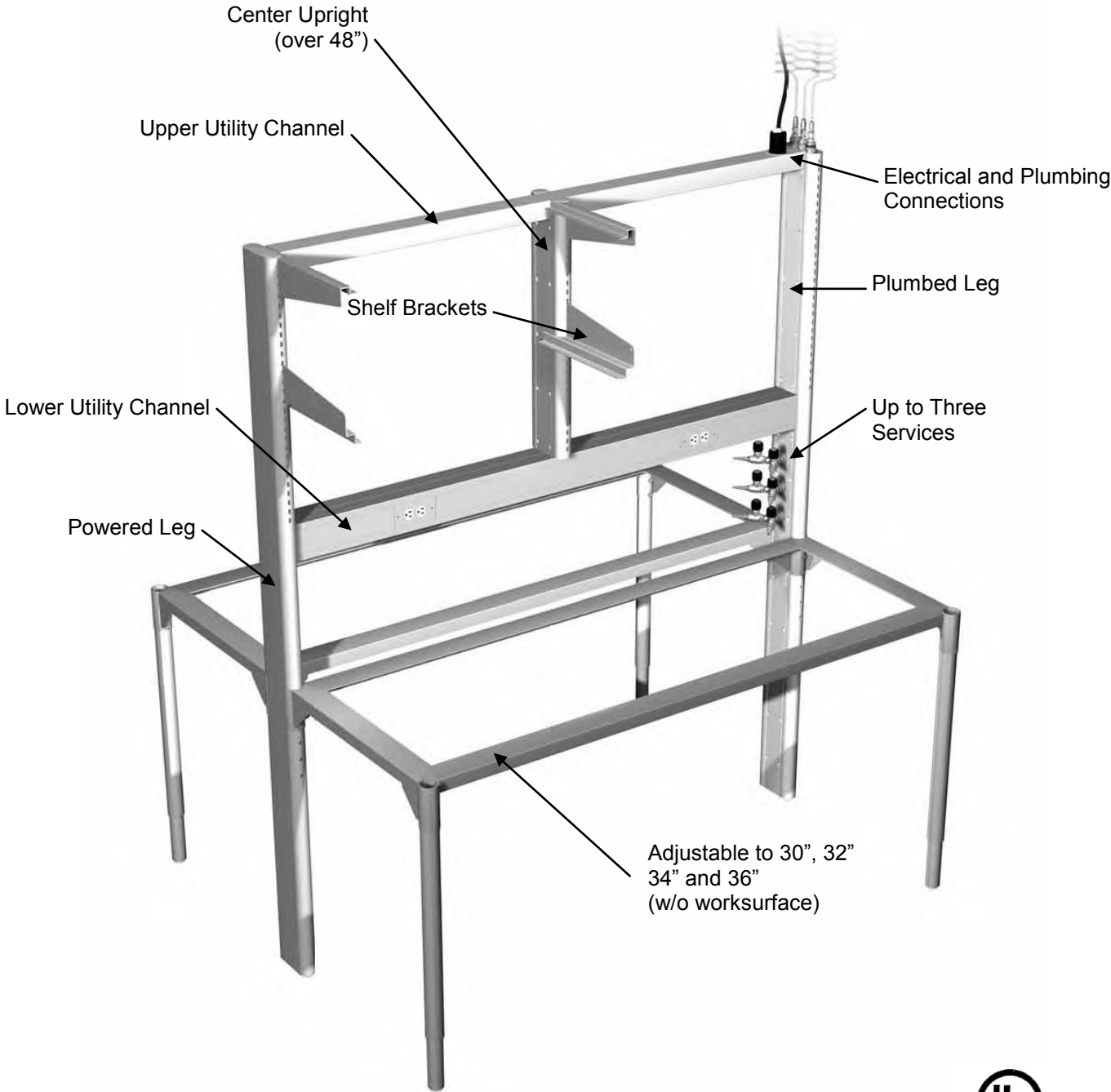


LOC Scientific, Inc.

ATS TABLES

The ATS is designed for ultimate flexibility. Simply configure the table to the size required select shelving and utility options set it in place and plug it in. The modular design allows for the table to be reconfigured in height, it can be set up as single or double sided and has an array of utility options.

Use of the ATS table makes any room or facility a truly flexible space. Reconfigure a room or an entire building without having to involve mechanical and electrical trades.

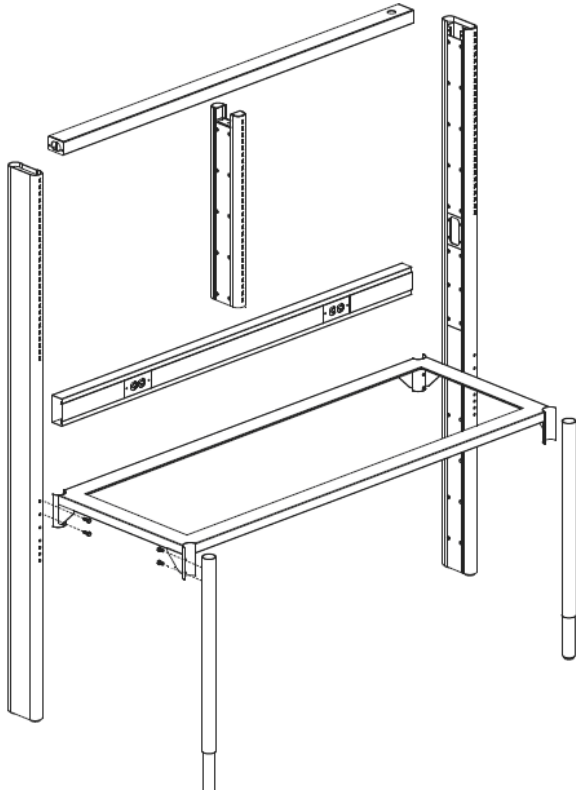


LOC Scientific, Inc.

ATS TABLES

Configuring The ATS

From the following pages choose the table components required.



- Select one each of the Plumbed and Powered Legs. Plumbing and electrical features will be added later.
- Select the Upper and Lower Utility Channels in the desired width.
- If the width of the table is over 48", select a center upright.
- Select a Work Surface Frame in the required width and depth. One for single sided tables and two for double sided.
- Select two Front Legs for each Work Surface Frame.
- Select the appropriate Work Surface.
- If Data is required, Select the number of data ports required for each side of the table.
- If power is required, select the appropriate four circuit electrical option.
- If plumbing fixtures are required, select either one, two or three services in single or double sided configuration.
- Select the quantity and style of shelves required. Uprights will accommodate shelves on both sides.
- Choose the quantity of Ceiling Service Panels required. It is common to install more Ceiling Service Panels than originally required to allow for expansion and relocation.
- Select the electrical, plumbing and data connections required on the Ceiling Service Panel.



LOC Scientific, Inc.

ATS TABLES

Obround Legs and Uprights

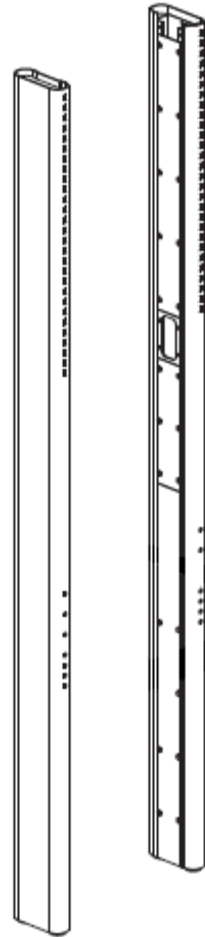
PART#	DESCRIPTION	SIZE
ELPS-0284	OBROUND LEG - NO UTILITIES	84" X 6" X 2"
ELPL-0284	OBROUND LEG - PLUMBING	84" X 6" X 2"
ELPW-0184	OBROUND LEG - ELECTRICAL	84" X 6" X 2"
EFCT-3001	OBROUND CENTER UPRIGHT - TALL	29" X 6" X 2"
EFCT-2001	OBROUND CENTER UPRIGHT - MEDIMUM	23" X 6" X 2"
EFCT-1001	OBROUND CENTER UPRIGHT - SHORT	17" X 6" X 2"



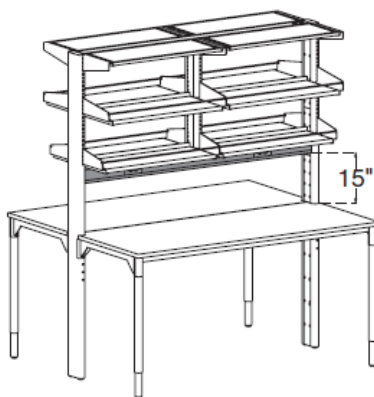
ATS legs and uprights are constructed of heavy duty 11 gage steel and feature custom utility chases to accommodate plumbing, electrical and data services.

When electrical service is specified two duplex outlets are furnished on the lower inside panel of the Electrical Leg, centered 21 1/2" above the floor.

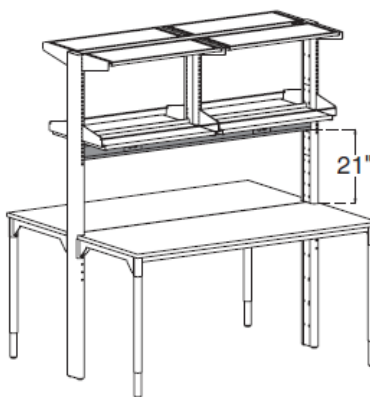
The interior panels of the legs are removable for access to utilities and are interchangeable allowing 15", 21" or 27" of clearance between the countertop and the bottom of the Lower Utility Channel.



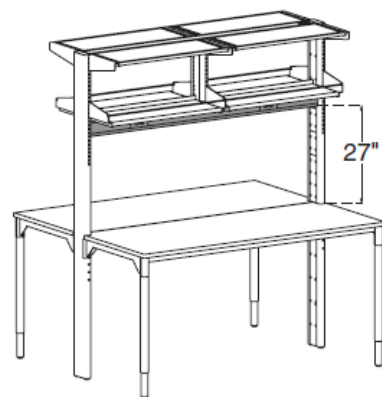
ELSE-0206 Seismic Anchors order separately, one per Obround Leg.



TALL CENTER UPRIGHT



MEDIMUM CENTER UPRIGHT



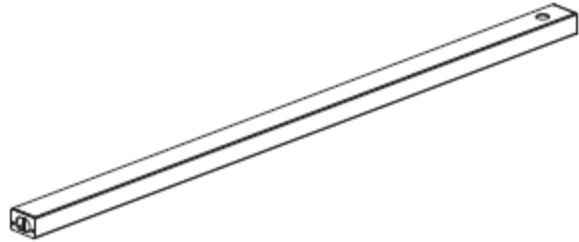
SHORT CENTER UPRIGHT

LOC Scientific, Inc.

ATS TABLES

Upper Utility Channels

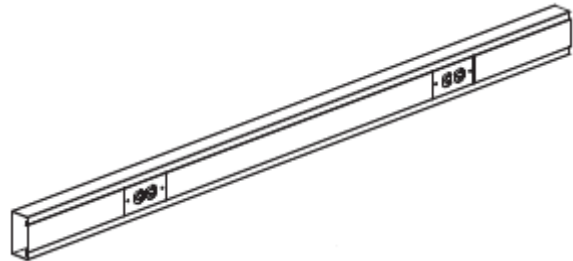
PART#	DESCRIPTION
ECUP-0030	30" UPPER UTILITY CHANNEL
ECUP-0036	36" UPPER UTILITY CHANNEL
ECUP-0042	42" UPPER UTILITY CHANNEL
ECUP-0048	48" UPPER UTILITY CHANNEL
ECUP-0054	54" UPPER UTILITY CHANNEL
ECUP-0060	60" UPPER UTILITY CHANNEL
ECUP-0066	66" UPPER UTILITY CHANNEL
ECUP-0072	72" UPPER UTILITY CHANNEL
ECUP-0096	96" UPPER UTILITY CHANNEL



Upper Utility Channels are designed to house electrical harnesses, when specified, to power the table.

Lower Utility Channels

PART#	DESCRIPTION
ECLR-0430	30" LOWER UTILITY CHANNEL
ECLR-0436	36" LOWER UTILITY CHANNEL
ECLR-0442	42" LOWER UTILITY CHANNEL
ECLR-0448	48" LOWER UTILITY CHANNEL
ECLR-0454	54" LOWER UTILITY CHANNEL
ECLR-0460	60" LOWER UTILITY CHANNEL
ECLR-0466	66" LOWER UTILITY CHANNEL
ECLR-0472	72" LOWER UTILITY CHANNEL
ECLR-0496	96" LOWER UTILITY CHANNEL



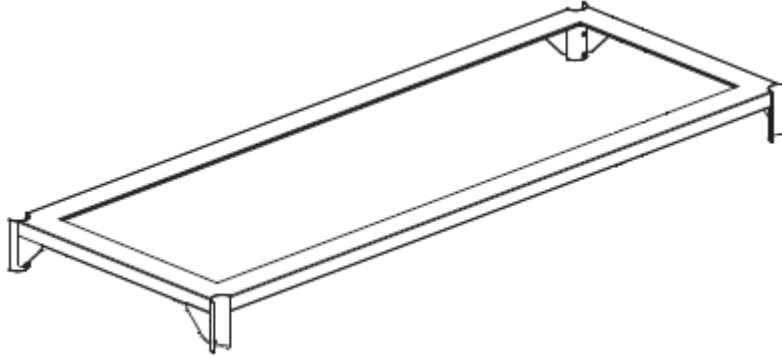
Lower Utility Channels come standard with a blank two port date housing. When electrical service is specified, Lower Utility Channels up to 48" come with two duplex outlets on each side. Lower Utility Channels over 48" have three duplex outlets on each side.



LOC Scientific, Inc.

ATS TABLES

Work Surface Frames



For use with 30" deep counter tops

- EFWK-3030 30" WORK SURFACE FRAME FOR 30" DEEP COUNTER TOPS
- EFWK-3036 36" WORK SURFACE FRAME FOR 30" DEEP COUNTER TOPS
- EFWK-3042 42" WORK SURFACE FRAME FOR 30" DEEP COUNTER TOPS
- EFWK-3048 48" WORK SURFACE FRAME FOR 30" DEEP COUNTER TOPS
- EFWK-3054 54" WORK SURFACE FRAME FOR 30" DEEP COUNTER TOPS
- EFWK-3060 60" WORK SURFACE FRAME FOR 30" DEEP COUNTER TOPS
- EFWK-3066 66" WORK SURFACE FRAME FOR 30" DEEP COUNTER TOPS
- EFWK-3072 72" WORK SURFACE FRAME FOR 30" DEEP COUNTER TOPS
- EFWK-3096 96" WORK SURFACE FRAME FOR 30" DEEP COUNTER TOPS

For use with 36" deep counter tops

- EFWK-3630 30" WORK SURFACE FRAME FOR 36" DEEP COUNTER TOPS
- EFWK-3636 36" WORK SURFACE FRAME FOR 36" DEEP COUNTER TOPS
- EFWK-3642 42" WORK SURFACE FRAME FOR 36" DEEP COUNTER TOPS
- EFWK-3648 48" WORK SURFACE FRAME FOR 36" DEEP COUNTER TOPS
- EFWK-3654 54" WORK SURFACE FRAME FOR 36" DEEP COUNTER TOPS
- EFWK-3660 60" WORK SURFACE FRAME FOR 36" DEEP COUNTER TOPS
- EFWK-3666 66" WORK SURFACE FRAME FOR 36" DEEP COUNTER TOPS
- EFWK-3672 72" WORK SURFACE FRAME FOR 36" DEEP COUNTER TOPS
- EFWK-3696 96" WORK SURFACE FRAME FOR 36" DEEP COUNTER TOPS

Front Leg

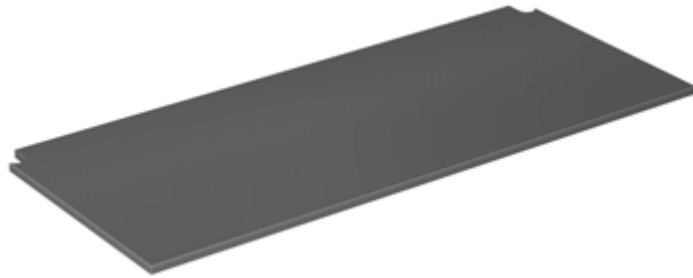
Constructed of heavy duty 11 gage steel, the lower portion of the leg telescopes allowing for adjustment in 2" increments from 30" to 36". On the bottom of the leg is an adjustable leveling glide. Order two legs per Work Surface Frame.



LOC Scientific, Inc.

ATS TABLES

Work Surfaces



30" deep Epoxy Resin Counter Tops - 1" thick

EWNE-3030	30" EPOXY RESIN TOP, 30" DP.
EWNE-3036	36" EPOXY RESIN TOP, 30" DP.
EWNE-3042	42" EPOXY RESIN TOP, 30" DP.
EWNE-3048	48" EPOXY RESIN TOP, 30" DP.
EWNE-3054	54" EPOXY RESIN TOP, 30" DP.
EWNE-3060	60" EPOXY RESIN TOP, 30" DP.
EWNE-3066	66" EPOXY RESIN TOP, 30" DP.
EWNE-3072	72" EPOXY RESIN TOP, 30" DP.
EWNE-3096	96" EPOXY RESIN TOP, 30" DP.

36" deep Epoxy Resin Counter Tops - 1" thick

EWNE-3630	30" EPOXY RESIN TOP, 36" DP.
EWNE-3636	36" EPOXY RESIN TOP, 36" DP.
EWNE-3642	42" EPOXY RESIN TOP, 36" DP.
EWNE-3648	48" EPOXY RESIN TOP, 36" DP.
EWNE-3654	54" EPOXY RESIN TOP, 36" DP.
EWNE-3660	60" EPOXY RESIN TOP, 36" DP.
EWNE-3666	66" EPOXY RESIN TOP, 36" DP.
EWNE-3672	72" EPOXY RESIN TOP, 36" DP.
EWNE-3696	96" EPOXY RESIN TOP, 36" DP.

30" deep Plastic Laminate Counter Tops - 1 1/4"

EWNL-3030	30" PLASTIC LAM. TOP, 30" DP.
EWNL-3036	36" PLASTIC LAM. TOP, 30" DP.
EWNL-3042	42" PLASTIC LAM. TOP, 30" DP.
EWNL-3048	48" PLASTIC LAM. TOP, 30" DP.
EWNL-3054	54" PLASTIC LAM. TOP, 30" DP.
EWNL-3060	60" PLASTIC LAM. TOP, 30" DP.
EWNL-3066	66" PLASTIC LAM. TOP, 30" DP.
EWNL-3072	72" PLASTIC LAM. TOP, 30" DP.
EWNL-3096	96" PLASTIC LAM. TOP, 30" DP.

36" deep Plastic Laminate Counter Tops - 1 1/4"

EWNL-3630	30" PLASTIC LAM. TOP, 36" DP.
EWNL-3636	36" PLASTIC LAM. TOP, 36" DP.
EWNL-3642	42" PLASTIC LAM. TOP, 36" DP.
EWNL-3648	48" PLASTIC LAM. TOP, 36" DP.
EWNL-3654	54" PLASTIC LAM. TOP, 36" DP.
EWNL-3660	60" PLASTIC LAM. TOP, 36" DP.
EWNL-3666	66" PLASTIC LAM. TOP, 36" DP.
EWNL-3672	72" PLASTIC LAM. TOP, 36" DP.
EWNL-3696	96" PLASTIC LAM. TOP, 36" DP.

Other Counter Top Materials Available Upon Request

LOC Scientific, Inc.

ATS TABLES

Backsplash

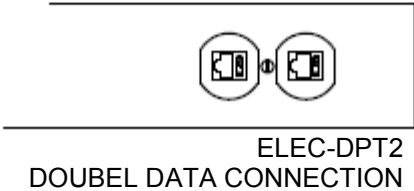
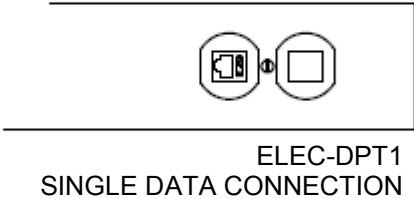
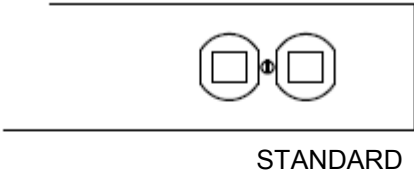


Painted Steel Backsplash

EBSP-0430	30" BACKSPLASH
EBSP-0433	36" BACKSPLASH
EBSP-0442	42" BACKSPLASH
EBSP-0448	48" BACKSPLASH
EBSP-0454	54" BACKSPLASH
EBSP-0460	60" BACKSPLASH
EBSP-0466	66" BACKSPLASH
EBSP-0472	72" BACKSPLASH
EBSP-0496	96" BACKSPLASH

Single sided tables require a painted steel Backsplash.

Data



A two port data outlet with blank covers is standard on both sides of the Lower Utility Channel. For data connections select a one port or two port option for each side of the Lower Utility Channel.

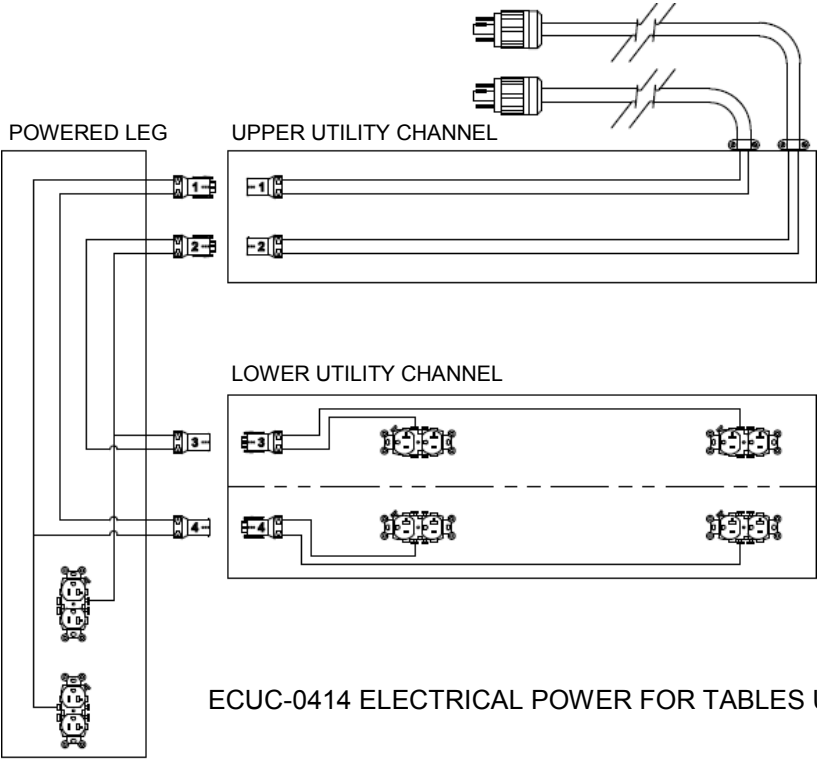
Data connections are CAT6 and come wired with four feet of cable above the leg for connection to the Ceiling Service Panel.



LOC Scientific, Inc.

ATS TABLES

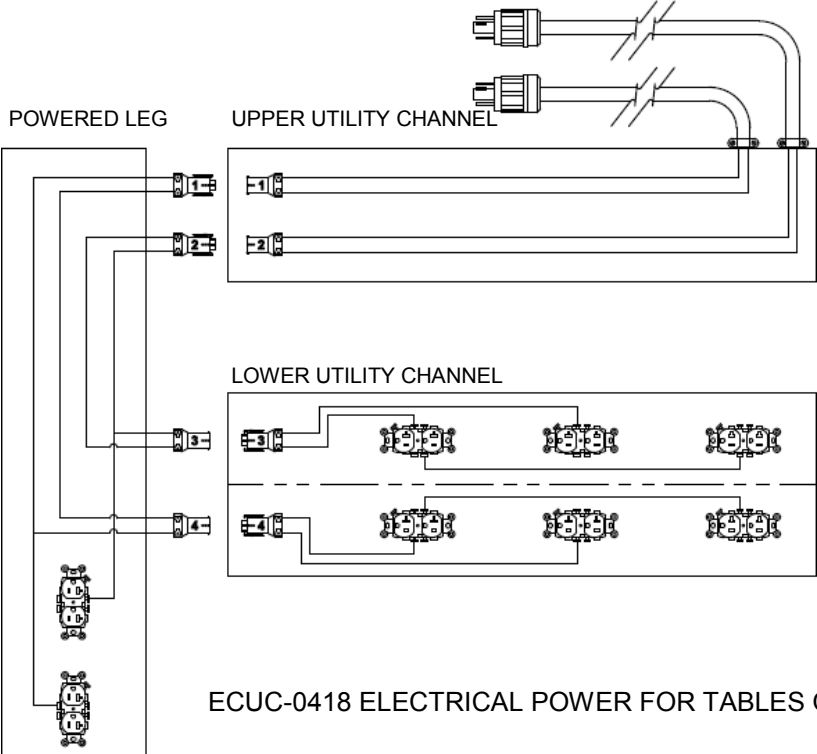
Electrical Power



UL listed electrical power to the ATS tables feature a four circuit connection.

Two duplex receptacles are located in the Powered Leg below the countertop. Tables up to 48" have two duplexes on each side of the Lower Utility Channel and tables over 48" have three.

A pair of NEMA L14-20P twist lock plugs mate with outlets on the Ceiling Service Panel providing power to the table.



LOC Scientific, Inc.

ATS TABLES

Plumbing Fixtures



Plumbing fixtures for both single sided and double sided tables are a complete pressure tested assembly. Termination at the top of the leg is a 3/8" female coupler for attachment of optional quick connects or flexible connection lines.

The unique design of the fixture assembly allows for installation into existing ATS tables at any time.

Specify type of service required when ordering.



Single Sided Table Fixtures



EPSS-XX



EPDS-XX-XX



EPST-XX-XX-XX

Double Sided Table Fixtures



EPDS-XX



EPDD-XX-XX



EPDT-XX-XX-XX

LOC Scientific, Inc.

ATS TABLES

Shelving

Shelf assemblies include shelf and brackets. Lower shelves also include front retainer rod and removable rear lip. Tables over 48" have a center upright and require side by side shelves.

Painted Metal Shelves



TABLE SIZE	13 1/2" DEEP UPPER SHELF	12" DEEP LOWER SHELF	15" DEEP LOWER SHELF
30"	ESTM-1230	ESLM-1230	ESLM-1530
36"	ESTM-1236	ESLM-1236	ESLM-1536
42"	ESTM-1242	ESLM-1242	ESLM-1542
48"	ESTM-1248	ESLM-1248	ESLM-1548
54"	ESTM-1254	ESLM-1254	ESLM-1554
60"	ESTM-1260	ESLM-1260	ESLM-1560
66"	ESTM-1266	ESLM-1266	ESLM-1566
72"	ESTM-1272	ESLM-1272	ESLM-1572
96"	ESTM-1296	ESLM-1296	ESLM-1596

Plastic Laminate Shelves



TABLE SIZE	13 1/2" DEEP UPPER SHELF	12" DEEP LOWER SHELF	15" DEEP LOWER SHELF
30"	ESTL-1230	ESLL-1230	ESLL-1530
36"	ESTL-1236	ESLL-1236	ESLL-1536
42"	ESTL-1242	ESLL-1242	ESLL-1542
48"	ESTL-1248	ESLL-1248	ESLL-1548
54"	ESTL-1254	ESLL-1254	ESLL-1554
60"	ESTL-1260	ESLL-1260	ESLL-1560
66"	ESTL-1266	ESLL-1266	ESLL-1566
72"	ESTL-1272	ESLL-1272	ESLL-1572
96"	ESTL-1296	ESLL-1296	ESLL-1596

Framed Glass Shelves



TABLE SIZE	13 1/2" DEEP UPPER SHELF	12" DEEP LOWER SHELF	15" DEEP LOWER SHELF
30"	ESTG-1230	ESLG-1230	ESLG-1530
36"	ESTG-1236	ESLG-1236	ESLG-1536
42"	ESTG-1242	ESLG-1242	ESLG-1542
48"	ESTG-1248	ESLG-1248	ESLG-1548
54"	ESTG-1254	ESLG-1254	ESLG-1554
60"	ESTG-1260	ESLG-1260	ESLG-1560
66"	ESTG-1266	ESLG-1266	ESLG-1566
72"	ESTG-1272	ESLG-1272	ESLG-1572
96"	ESTG-1296	ESLG-1296	ESLG-1596

LOC Scientific, Inc.

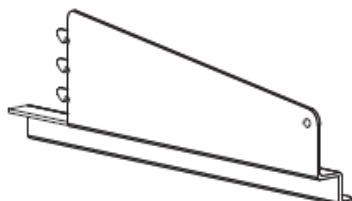
ATS TABLES

Shelving Components

Shelf Brackets

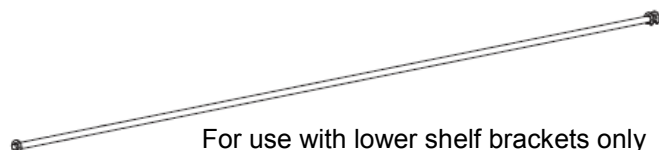


SHELF TYPE	13 1/2" DEEP UPPER	12" DEEP LOWER	15" DEEP LOWER
METAL / GLASS	ESBK-0313	ESBK-0312	ESBK-0315
PLASTIC LAM	ESBK-0113	ESBK-0112	ESBK-0115



Part numbers include a pair of brackets, one left hand and one right hand.

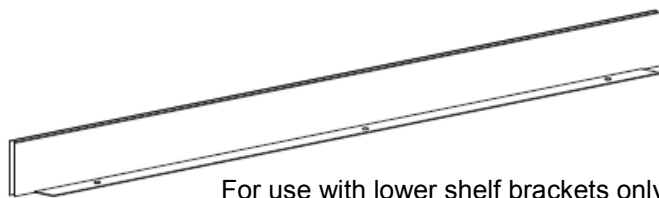
Front Retainer Rod



For use with lower shelf brackets only

TABLE SIZE	PART #
30"	ESRR-1230
36"	ESRR-1236
42"	ESRR-1242
48"	ESRR-1248
54"	ESRR-1254
60"	ESRR-1260
66"	ESRR-1266
72"	ESRR-1272
96"	ESRR-1296

Rear Shelf Stop



For use with lower shelf brackets only

TABLE SIZE	PART #
30"	ESRS-1230
36"	ESRS-1236
42"	ESRS-1242
48"	ESRS-1248
54"	ESRS-1254
60"	ESRS-1260
66"	ESRS-1266
72"	ESRS-1272
96"	ESRS-1296

Shelves

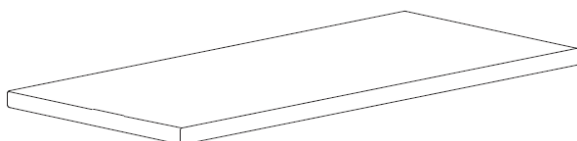


TABLE SIZE	13 1/2" DP METAL	12" DP METAL	15" DP METAL	13 1/2" DP PLAS LAM	12" DP PLAS LAM	15" DP PLAS LAM	13 1/2" DP GLASS	12" DP GLASS	15" DP GLASS
30"	ESPM-1330	ESPM-1230	ESPM-1530	ESPL-1330	ESPL-1230	ESPL-1530	ESGF-1330	ESGF-1230	ESGF-1530
36"	ESPM-1336	ESPM-1236	ESPM-1536	ESPL-1336	ESPL-1236	ESPL-1536	ESGF-1336	ESGF-1236	ESGF-1536
42"	ESPM-1342	ESPM-1242	ESPM-1542	ESPL-1342	ESPL-1242	ESPL-1542	ESGF-1342	ESGF-1242	ESGF-1542
48"	ESPM-1348	ESPM-1248	ESPM-1548	ESPL-1348	ESPL-1248	ESPL-1548	ESGF-1348	ESGF-1248	ESGF-1548
54"	ESPM-1354	ESPM-1254	ESPM-1554	ESPL-1354	ESPL-1254	ESPL-1554	ESGF-1354	ESGF-1254	ESGF-1554
60"	ESPM-1360	ESPM-1260	ESPM-1560	ESPL-1360	ESPL-1260	ESPL-1560	ESGF-1360	ESGF-1260	ESGF-1560
66"	ESPM-1366	ESPM-1266	ESPM-1566	ESPL-1366	ESPL-1266	ESPL-1566	ESGF-1366	ESGF-1266	ESGF-1566
72"	ESPM-1372	ESPM-1272	ESPM-1572	ESPL-1372	ESPL-1272	ESPL-1572	ESGF-1372	ESGF-1272	ESGF-1572
96"	ESPM-1396	ESPM-1296	ESPM-1596	ESPL-1396	ESPL-1296	ESPL-1596	ESGF-1396	ESGF-1296	ESGF-1596

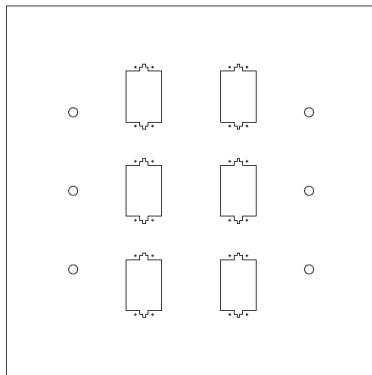
LOC Scientific, Inc.

ATS TABLES

Ceiling Service Panel



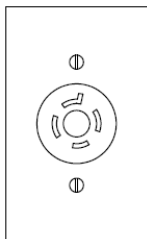
Ceiling Service Panels are designed to fit a standard two foot ceiling grid. Constructed of 18 gage powder coated steel, Ceiling service Panels have knock-outs to accommodate electric, plumbing and data connections to the ATS tables. Each Ceiling Service Panel can service up to two ATS tables.



EPNL-2424 CEILING SERVICE PANEL

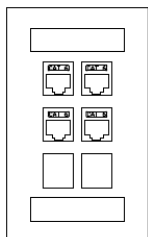


Ceiling Panel Connections



Ceiling Panel Electrical Connection

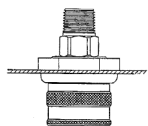
EPEC-0400 Four circuit electrical connection consists of two twist lock receptacles mounted in the Ceiling Service Panel for service to one ATS table.



Ceiling Panel Data Connection

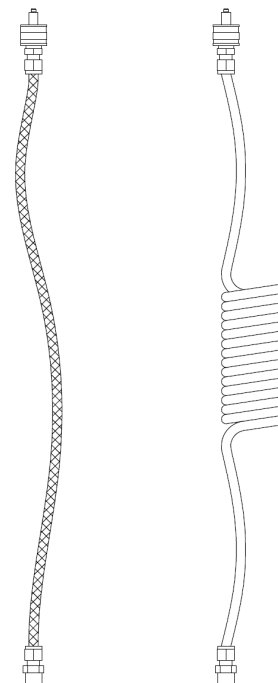
Data receptacle can accommodate up to four data ports on the ATS table.

- EPEC-01DT ONE PORT CONNECTION
- EPEC-02DT TWO PORT CONNECTION
- EPEC-03DT THREE PORT CONNECTION
- EPEC-04DT FOUR PORT CONNECTION



Ceiling Panel Plumbing Connection

EPEC-EBXX Quick connect receptacle is keyed and color coded to accept only the mating service plug. Specify service when ordering.



- ELCL-EDXX COILED POLYURETHANE
- ELSS-EDXX BRAIDED STAINLESS STEEL

Service Line Connection

Service lines are 48" long and available in braided stainless steel and coiled nylon. Each has a quick connect plug that is color coded and keyed to match mating receptacle. 3/8" male end mates with coupler on top of the ATS leg. Specify service when ordering.

LOC Scientific, Inc.

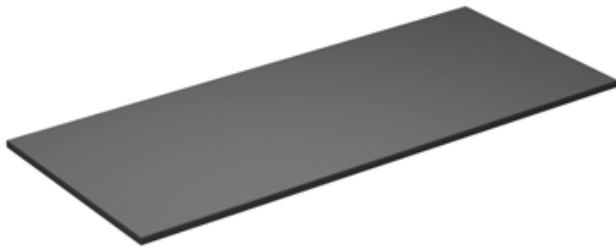
ATS TABLES

Free Standing Tables



ESTU-3030	30" X 30" 4-leg table
ESTU-3036	36" X 30" 4-leg table
ESTU-3042	42" X 30" 4-leg table
ESTU-3048	48" X 30" 4-leg table
ESTU-3054	54" X 30" 4-leg table
ESTU-3060	60" X 30" 4-leg table
ESTU-3066	66" X 30" 4-leg table
ESTU-3072	72" X 30" 4-leg table
ESTU-3096	96" X 30" 4-leg table

Free standing four-leg tables are adjustable from 30" to 36" on two inch increments. Table shown with optional counter top. Select counter top below.



Epoxy Resin Counter Tops - 1" thick

EWSE-3030	30" EPOXY RESIN TOP, 30" DP.
EWSE-3036	36" EPOXY RESIN TOP, 30" DP.
EWSE-3042	42" EPOXY RESIN TOP, 30" DP.
EWSE-3048	48" EPOXY RESIN TOP, 30" DP.
EWSE-3054	54" EPOXY RESIN TOP, 30" DP.
EWSE-3060	60" EPOXY RESIN TOP, 30" DP.
EWSE-3066	66" EPOXY RESIN TOP, 30" DP.
EWSE-3072	72" EPOXY RESIN TOP, 30" DP.
EWSE-3096	96" EPOXY RESIN TOP, 30" DP.

Plastic Laminate Counter Tops - 1 1/4" thick

EWSL-3030	30" PLASTIC LAM. TOP, 30" DP.
EWSL-3036	36" PLASTIC LAM. TOP, 30" DP.
EWSL-3042	42" PLASTIC LAM. TOP, 30" DP.
EWSL-3048	48" PLASTIC LAM. TOP, 30" DP.
EWSL-3054	54" PLASTIC LAM. TOP, 30" DP.
EWSL-3060	60" PLASTIC LAM. TOP, 30" DP.
EWSL-3066	66" PLASTIC LAM. TOP, 30" DP.
EWSL-3072	72" PLASTIC LAM. TOP, 30" DP.
EWSL-3096	96" PLASTIC LAM. TOP, 30" DP.

LOC Scientific, Inc.

ATS TABLES

SPECIFICATION

General requirements for table system:

Modular Legs:

Modular rear/shared legs shall allow for plumbing, electrical and data cabling. All legs shall be capable of accepting service modules; gases, water, vacuum, low voltage cabling and high voltage electrical components. In assembled unit, high voltage and services shall be separated in opposite legs. Modular rear/shared legs shall be 11 gauge cold-rolled steel formed to a 2" X 6" obround structural support with an 18 gauge internal channel designed to accept add-on components and have removable access panels on the work surface side of the leg. Each leg has 2 levelers. Modular rear/shared legs used in assemblies over 48" wide shall have a center support to accommodate split shelving. The center support shall be available in heights to provide nominal 15", 21", 27" clearance between the work surface and the bottom shelf. Uprights have slots punched on 1" increments starting at nominal 55" above the floor to the top of the upright.

General requirements for rear/shared frame support structures:

- Upper Utility Channel shall accommodate wiring for four 20A electrical circuits per table unit.
- System plumbing and electrical components shall utilize quick connect modular connectors for quick assembly and disassembly in the field.
- Modular rear/shared legs shall have a threaded insert integral to the leg that allows the work surface to be added, removed, or adjusted without having to gain access to the interior of the leg.
- Work surface frames to accept a backsplash/work surface extender. In the application where a one sided table is used, this work surface extender shall fill the space between the top and the back edge of the leg. This allows the same work surface to be used for both single and double sided applications.
- Modular rear/shared legs shall allow service fittings to be field changed to accommodate one, two or three services per leg. Services are either single or dual depending on whether it is configured single or double sided.
- Lower Utility Channel shall house wiring to support AC duplex outlets. Access shall be through the removable access cover. There are two 20 amp duplexes per side on units up to 48" wide and three 20 amp duplexes per side on units over 48" wide.
- Modular Powered Legs shall have two 20 amp duplexes located below the work surface.

LOC Scientific, Inc.

ATS TABLES

- Lower Utility Channel shall accept up to two CAT 6 data receptacle, per side, with cable extending 48" above the modular leg.

Removable Front Leg:

2" outside diameter 11 gauge tubing with telescoping lower member for height adjustment. Leg to be attached to work surface frame using bolts that are not visible from the front. The leg is capable of vertical adjustment in two-inch increments.

Work surface Table Frame:

Work surface frames 11 gauge formed steel. Both front and rear corners shall have 6" high 11 gauge saddles for attachment to the front and rear legs. The attachment shall be mechanical by means of a socket head button cap and bolt. A back stop angle, with full length bumper, shall be located under the work surface frame to position mobile base cabinets.

Plumbing/Fixtures:

- The modular rear/shared legs shall house a maximum of three plumbing services.
- Needle Valves – chromed brass straight pattern instrumentation needle with serrated hose end.
- Plumbing Lines – Hard drawn seamless 1/2" copper tubing, type "L" ASTM B88 with 3/8" IPS female connection at the top of the modular leg.
- Gas Lines – Steel pipe 3/8" IPS, ASTM A53, type "E", electric-resistance welded or type "S", seamless, Grade "B", Schedule 40, black with 3/8" IPS female connection at the top of the modular leg.

Service Connections:

- All services (plumbing, power, phone and data) terminate at or near the top of the plumbed modular leg.
- Plumbing lines with quick connects are to be keyed and color coded so services can not be intermixed.
- Power services will have two 2-circuit 20 amp cords extending 4' above the top of the modular leg with a twist lock plug at the end.
- Data CAT 6 line(s) will have a male plug extending 4' above the modular leg.
- Service lines: nylon and, for burning gases, braided stainless steel. Attach to top of

LOC Scientific, Inc.

ATS TABLES

modular leg with 3/8" connection and to the ceiling service panel with quick-connects.

Ceiling Service Panel:

- Ceiling Service Panel shall allow for plumbing, electrical and data connections to the table.
- Ceiling Service Panel to be installed in standard two foot square ceiling grid above the table units.
- Ceiling Service Panel shall provide a means to mount and connect electrical outlets, data outlets and quick connect service fixtures.
- Ceiling Service Panel shall accommodate end-to-end bench configurations.
- Ceiling Service Panel will ship with plumbing, electrical and data devices installed in the panel. Connection to the devices shall be made in the field by the appropriate trade.
- Utility panel shall be 18-gauge cold rolled steel with a urethane powder coat finish. Nominal dimensions - 24" x 24"

Shelving:

- All shelf supports shall be 11 gauge powder coated cold rolled steel.
- Shelf platforms shall be available in painted metal, framed glass and plastic laminate.
- Shelves shall overhang 3" behind the face of the vertical tubular support.
- Shelf brackets shall be designed to fill the void created by the thickness of the leg, allowing the shelf to be rectangular without the need for notches to clear the rear leg.
- Vertical shelf adjustment to be in one-inch increments.
- Shelves shall incorporate a reversible rear shelf retainer lip that is capable of being positioned in the raised or flush position.
- Shelf lips can be repositioned with the use of simple hand tools.
- Lower and middle shelves shall have seismic restraint rods. These rods shall be stainless steel and shall have the ability to be removed without tools.

LOC Scientific, Inc.

ATS TABLES

Work Surfaces:

- Work surfaces shall be available in epoxy resin and plastic laminate.
- Work surfaces shall be corner notched to accommodate the profile of the leg.
- Work surfaces shall have a 1" overhang in the front and be flush with the outside of the legs on the sides.

Task lights:

- Task light shall be a T5 HQ type.
- Task lights shall be gangable with an integral on/off switch.

END OF SECTION